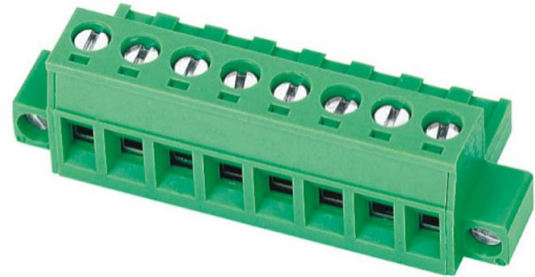


# Terminal Block, Plug

## STB2050V-3.5-XX

### Description

The STB2050V-3.5-XX is a spring terminal plug with 3.5 mm pitch and additional flange with screws on the sides. The connector is available from 2 up to 24 poles.



### Typical applications

- Wire to Board
- Board to Wire



### Features

Mechanical Properties	Description
Connector Type	Spring Terminal Plug
Dimensions	$((\text{Poles} \times 3.5) + 10.6) \times 11.2 \times 16.4 \text{ mm} \pm 0.2$
Operating Temperature Range	-40°C~+105°C
Wire Range	16 – 28 AWG, 0.5 - 1.5 mm <sup>2</sup>
Strip Length	9 mm
Pitch	3.5 mm
Poles	2-24 Poles
Housing	PA66, UL94V-0
Terminal	Phosphor Bronze, Sn plated
Screw	Steel
Clamp	Brass, Nickel Plated

# Terminal Block, Plug

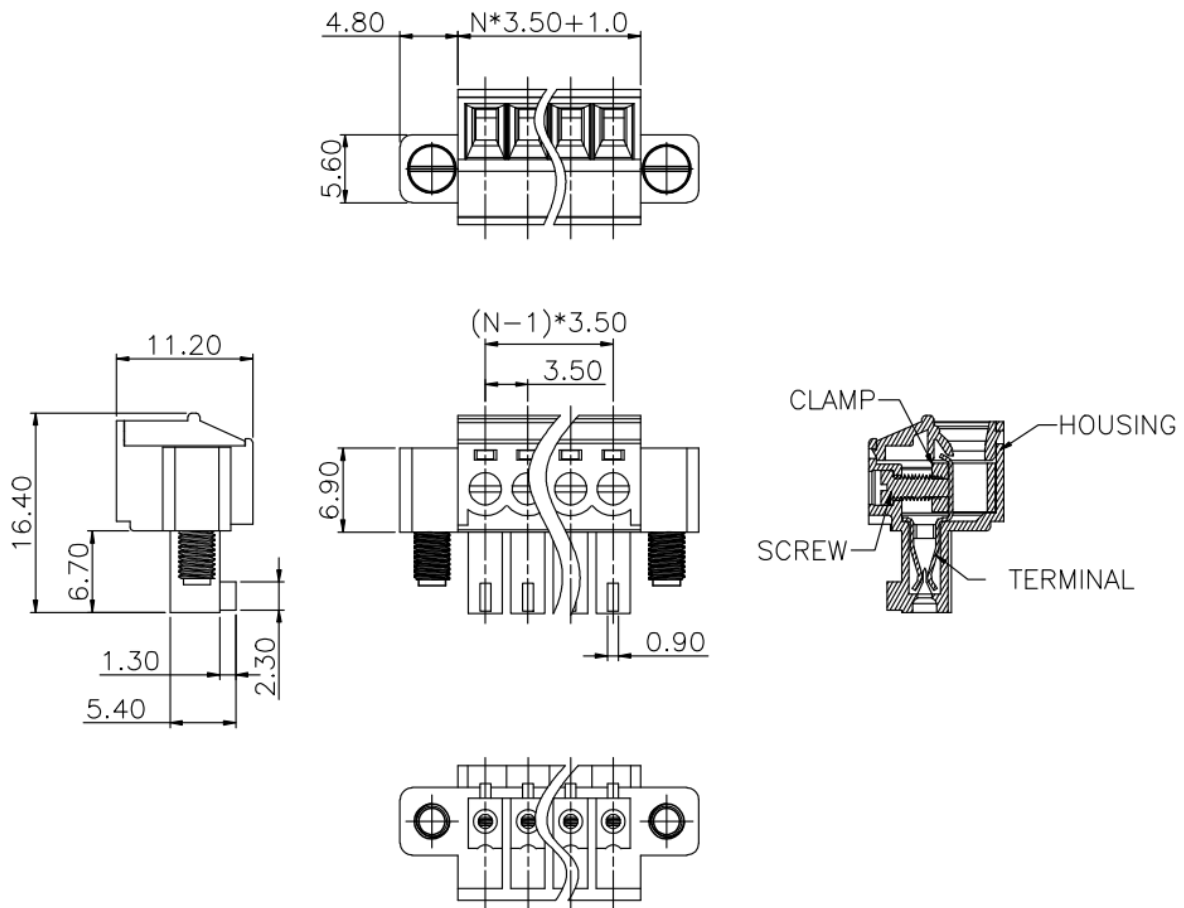
## STB2050V-3.5-XX

### Electrical Properties

### Description

Standard	UL	IEC
Rated Voltage	300V	250V
Rated Current	8A	7A
Withstanding Voltage	AC 1600V / 1Min.	

### Dimensions



\*unit: mm, N= number of poles

# Terminal Block, Plug

## STB2050V-3.5-XX

Pole	2	3	4	5	6	7	8	9	10	11	12	13
Length	17,6	21,1	24,6	28,1	31,6	35,1	38,6	42,1	45,6	49,1	52,6	56,1
Pitch	5	10	15	20	25	30	35	40	45	50	55	60

Pole	14	15	16	17	18	19	20	21	22	23	24
Length	59,6	63,1	66,6	70,1	73,6	77,1	80,6	84,1	87,6	91,1	94,6
Pitch	65	70	75	80	85	90	95	100	105	110	115

### Part number

STB2050X-XXX-XX

STB2050	Style of connector
V	Vertical
3,5	Pitch
XX	Poles
	2,3,4,5,6,7,8, 9,10, 11,12, 13,14,15,16,17,18,19,20, 21,22,23,24

### Ordering information

Ordering can be done via [www.summit-electronics.com](http://www.summit-electronics.com) or via [info@summit-electronics.com](mailto:info@summit-electronics.com). Please contact us for more information. Customisation of the product is available on request.

### Technical support

For all product questions please contact us via [info@summit-electronics.com](mailto:info@summit-electronics.com)

### Document revision

Rev	Date	Changes
V01.00	06-04-2023	First issue of document

# Terminal Block, Plug

STB2050V-3.5-XX

---

